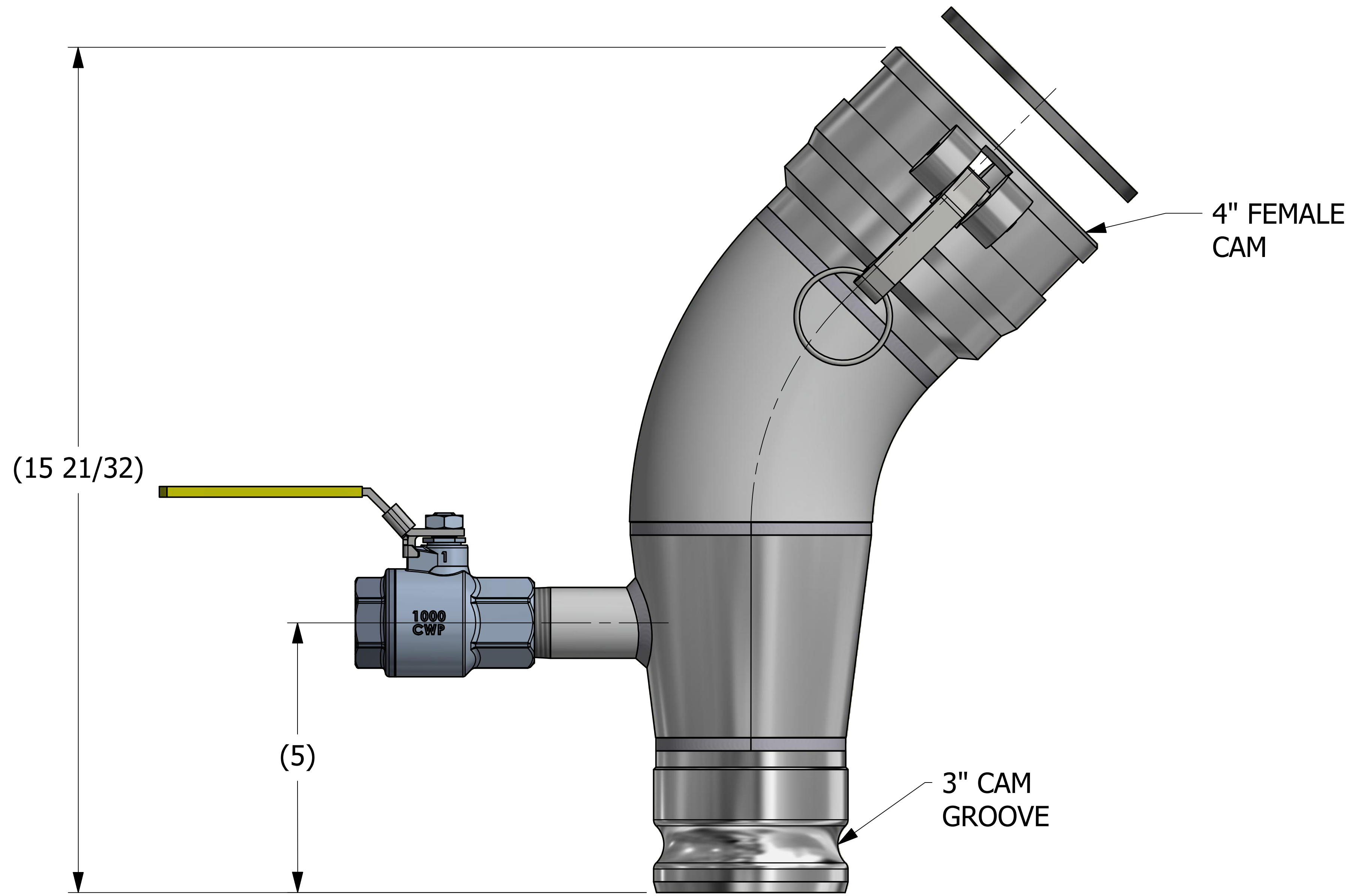


SALES DRAWING SALES DRAWING SALES DRAWING SALES DRAWING SALES DRAWING

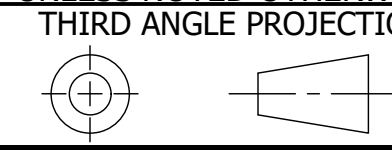
SALES DRAWING SALES DRAWING SALES DRAWING SALES DRAWING SALES DRAWING



NOTE:
GASKET MATERIAL IS BLACK VITON A.

C	WEB	10/12/21	202110121417	WEB
REV	BY	DATE	REF #	PUB

UNLESS OTHERWISE SPECIFIED
DIMENSIONAL TOLERANCES
FRACTIONAL: $\pm 1/16$
X.XX: $\pm .03$
X.XXX: $\pm .015$
ANGULAR: $\pm 1^\circ$
DEBURR ALL SHARP EDGES.
ALL MACHINED SURFACES TO
HAVE A 125 RMS FINISH
UNLESS NOTED OTHERWISE.
THIRD ANGLE PROJECTION



DRAWN BY:	WEB
CHECKED BY:	EJF
PROTOTYPE DATE:	3/21/2016
APPROVED FOR PRODUCTION BY:	WEB
PRODUCTION DATE:	3/23/2016
SIZE:	D
DRAWING #:	43464

SALCO PRODUCTS, INC.		
PART NAME: UNLOADING ELBOW 4"X3" 45°		
MATERIAL: SEE BOM		
PROJECT #: R160321	SHEET #: 1 OF 1	SCALE: 3:4
PART #: U43A45FM061006		